

# AiM User guide

Kit for Solo 2DL on  
Honda CRF  
250 cc from 2010 onwards  
450 cc from 2009 onwards

Release 1.00

---



## 1 Models and years

---

This manual explains how to connect Solo 2DL to Honda CRF Engine Control Unit (ECU). Supported model and years are:

- Honda CRF 250 cc from 2010 onwards
- Honda CRF 450 cc from 2009 onwards

## 2 Kit content and part number

---

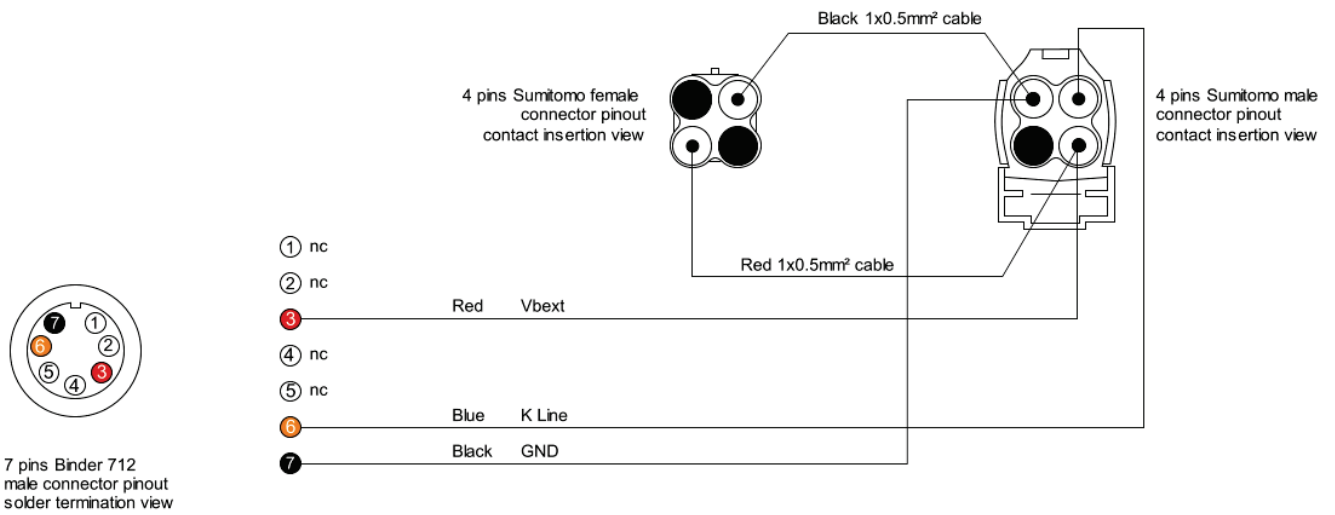
Honda CRF 250 and 450 kit for Solo 2DL part number is: **V02569320CS2**. It contains:

- 1 Bar Pad for bikes with cross brace for Solo 2DL with thermoformed cover, Velcro already mounted and fixing plate (1)
- 4 -3x12 screws (2)
- 1 cable for Honda CRF (3)



Honda CRF cable (3) – part number **V02569320** – and Bar Pad for Solo 2DL (1) – part number **X47KPSOLO2T20** – can be bought separately as spare parts.

The draw here below shows constructive scheme of cable **V02569320**.



### 3

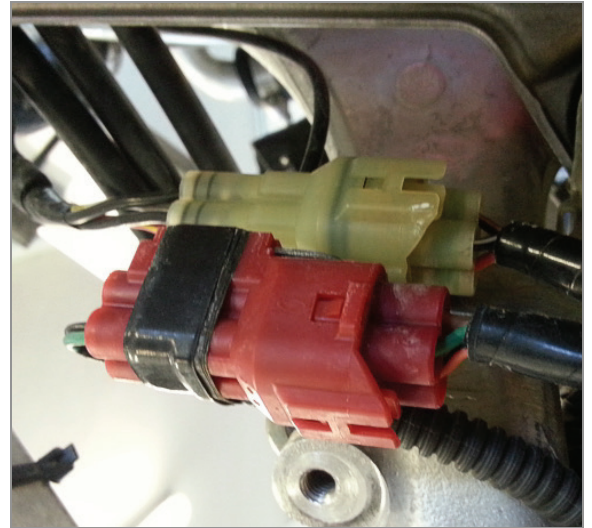
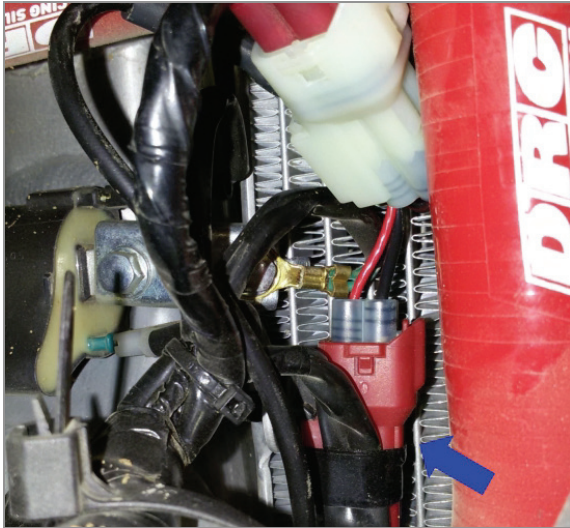
## Installation and connection

---

To install Solo 2DL on your Honda CRF remove the original bar pad and install AiM pad following the instructions you can download from [www.aim-sportline.com](http://www.aim-sportline.com) – download documentation Area. Images here below show the original bar pad on the left and AiM one on the right.



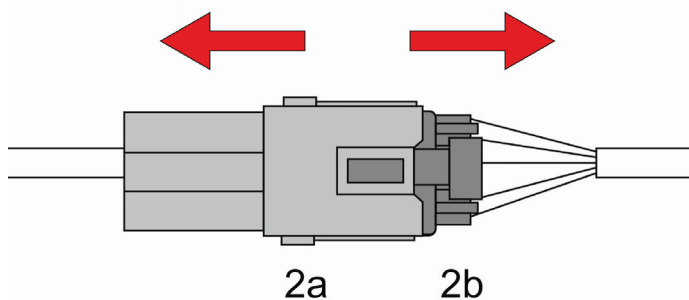
Honda CRF bike with PGM-Fi setting tool communicates with Honda Diagnostic System (HDS) through the K Line, that can be reached on a red Sumitomo connector (DLC) placed on the left side of the bike. This connector connects the fuel pump power supply too. Images below shows the Sumitomo connector position on the left and the connector in detail on the right.



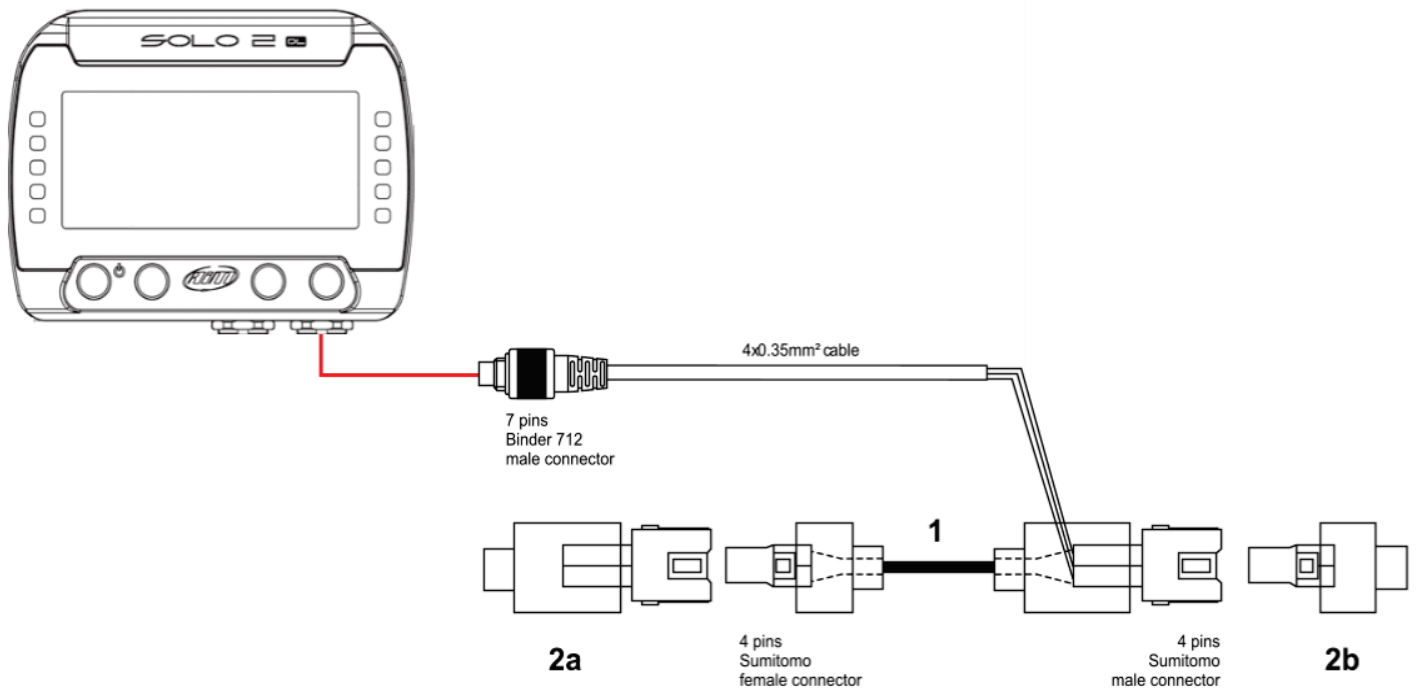
Honda cables colours code is:

- Brown Not connected
- Orange/Black K Line
- Black V Battery
- Green GND

Unplug Honda cable as shown here below and insert AiM one between the two Honda connectors labelled "2a" and "2b" in the image on the right.



The scheme below shown connection of AiM Solo 2DL, AiM cable and Honda wiring: plug AiM cable (1) in the connectors labelled **2a** and **2b**.



## 4

# Race Studio 3 configuration

---

Before connecting Solo 2DL to Honda CRF ECU set it up using AiM Race Studio 3 software. The parameters to select in the logger configuration are:

- ECU Manufacturer: **Honda**
- ECU model: **HDS\_TAB10**

## 5

# "Honda - HDS\_TAB10" protocol

---

Channels received by Solo 2DL configured with "Honda - HDS\_TAB10" protocol are:

<b>CHANNEL NAME</b>	<b>FUNCTION</b>
HDS_RPM	RPM
HDS_TPS_V	Throttle position sensor voltage
HDS_TPS	Throttle position sensor
HDS_ECT	Engine coolant temperature
HDS_IAT	Intake air temperature
HDS_MAP	Manifold air pressure
HDS_BATT	Battery supply
HDS_SPD	Vehicle speed
HDS_IGN_ANG	Ignition angle
HDS_INJ_B	Injection B
HDS_INJ_W	Injection W

**Technical note:** not all data channels outlined in the ECU template are validated for each manufacturer model or variant; some of the outlined channels are model and year specific, and therefore may not be applicable.